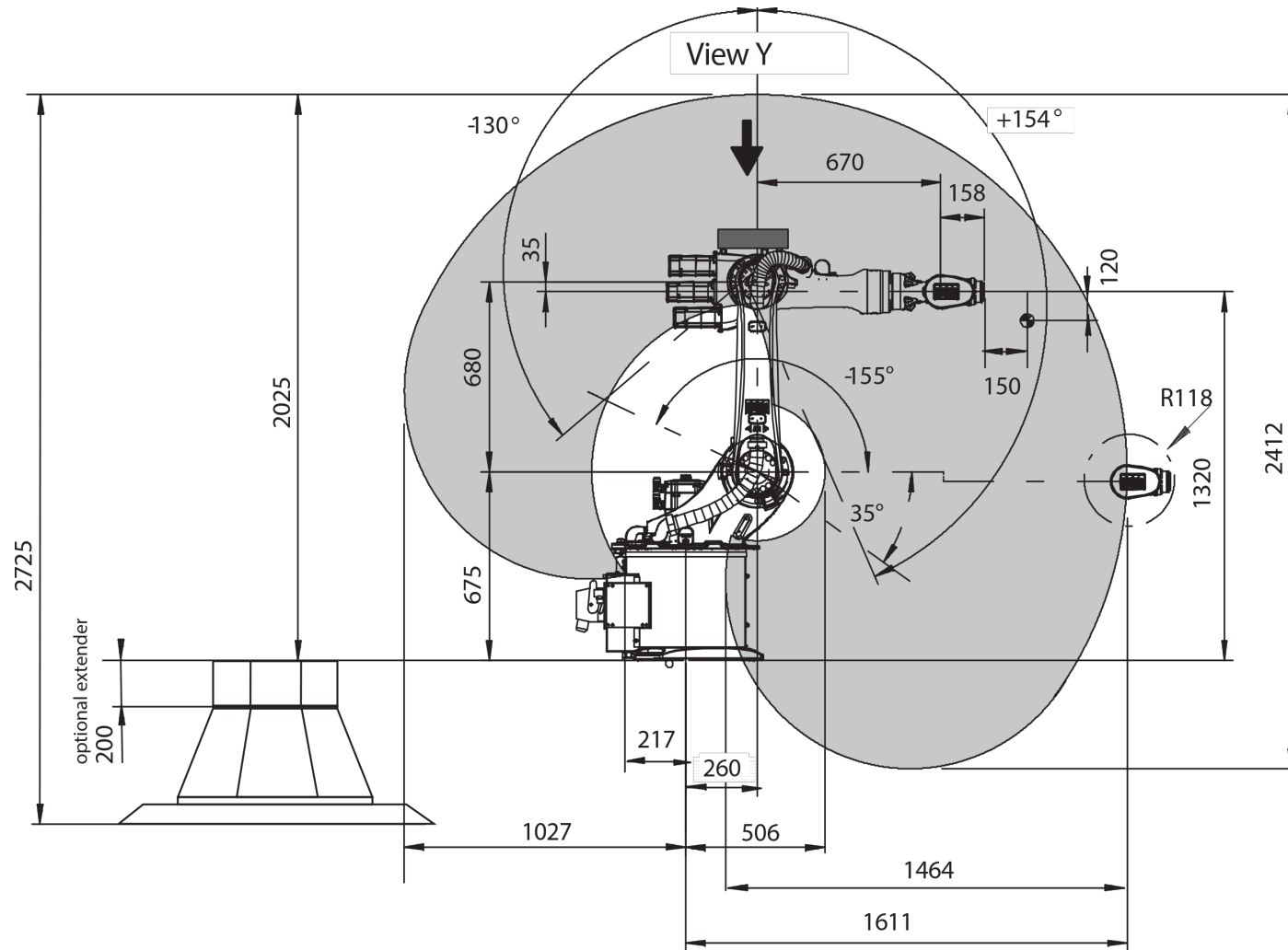


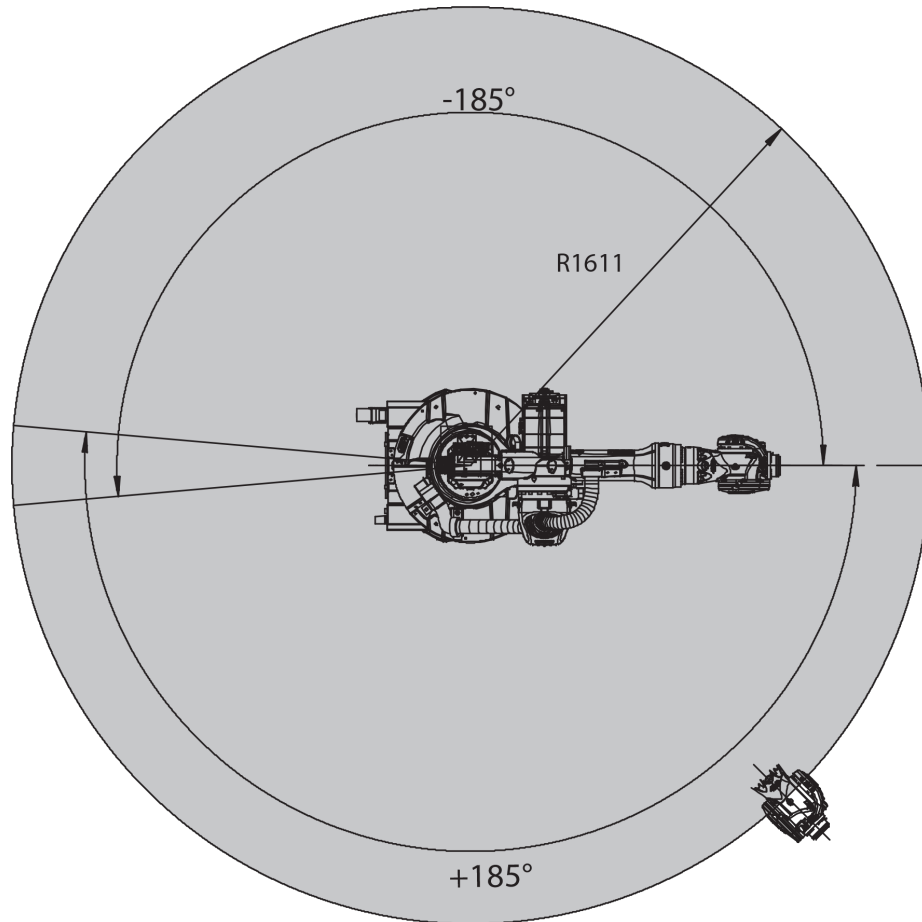


ROBOT DETAILS



MIRAGE

ROBOT DETAILS



Specifications		
Repeatability:	0.05 mm	
Maximal camera weight:	16Kg	
Operating temperature:	+5 to +55 °C	
Speed & Ranges		
Axis	Range of motion	Speed
1	3185°	156 °/s
2	+35° to -155°	156 °/s
3	+154° to -130°	156 °/s
4	3350°	330 °/s
5	3130°	330 °/s
6	3350°	615 °/s